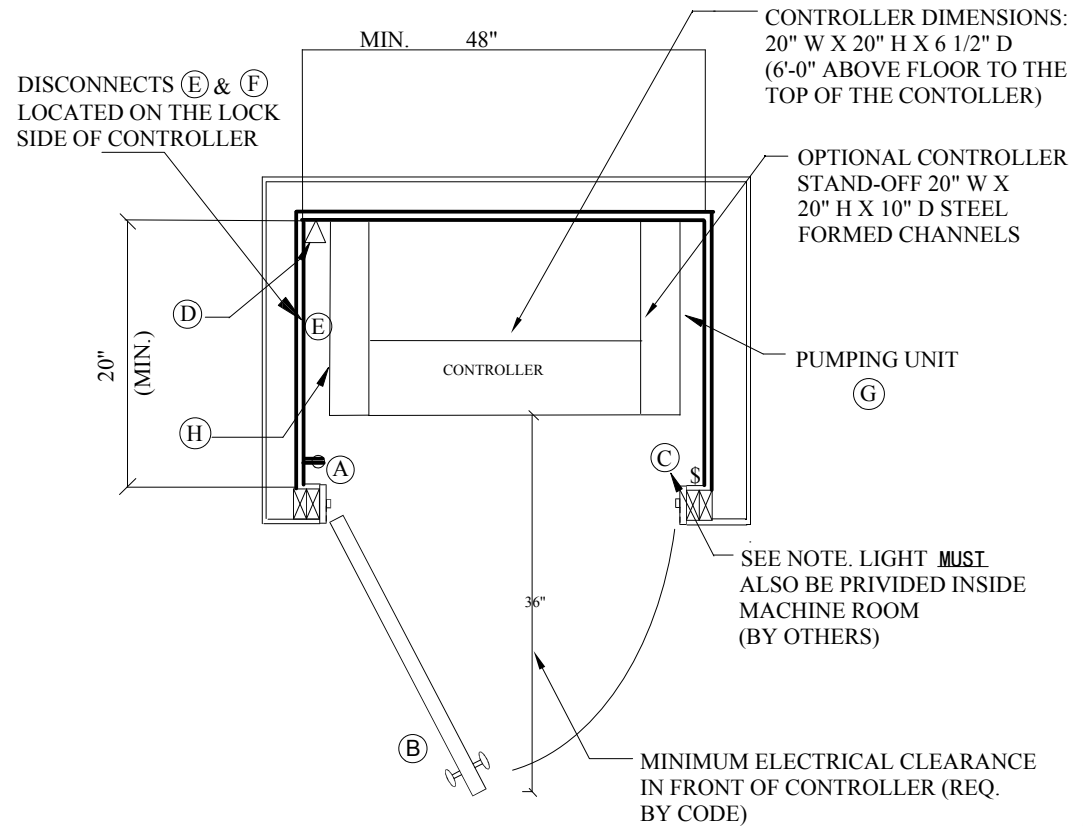


Additional Information / Notes:

- (A) A GFI RECEPTACLE IS TO BE PROVIDED IN THE ELEVATOR MACHINE ROOM/SPACE PER NEC-2002 (BY OTHERS)
- (B) MACHINE ROOM DOOR TO BE A MINIMUM OF 30" WIDE AND SWING OUTWARD (BY OTHERS).
- (C) LIGHT SWITCH TO BE INSTALLED ADJACENT TO LOCK SIDE OF THE DOOR AND LIGHT MUST BE PROVIDED INSIDE MACHINE ROOM (BY OTHERS)
- (D) PROVIDE A PHONE LINE TO THE ELEVATOR MACHINE ROOM AND INSTALL IN A 4" X 4" BOX WITH COVER. MUST HAVE A MIN. 10'-15' TAIL (BY OTHERS)
- (E) 230 VAC, 2 POLE, SINGLE PHASE FUSED DISCONNECT WITH 30 AMP RK-5 FUSES PER NEC-2002 (BY OTHERS) SEE GEC=WORK BY OTHERS DOCUMENT FOR RECOMMENDED MFG.'S AND PART #S.
- (F) PROVIDE 120 V, FUSED DISCONNECT FOR ELEVATOR CAB INTERIOR LIGHT(S), LOCKABLE IN THE OPEN POSITION, PER NEC-2002 (BY OTHERS)
- (G) FLOOR MOUNT PUMPING UNIT DEMENSIONS: 16 3/4" D X 28 3/4" L X 26 3/4" H (ON PADS),
- (H) 5'-0" MINIMUM HEADROOM REQUIRED FOR ELEVATED PLATFORMS / STANDS.



ALTERNATE MACHINE ROOM PLAN VIEW

SCALE - NOT TO SCALE

NOTE: ALL DIMENSIONS ARE APPROXIMATE